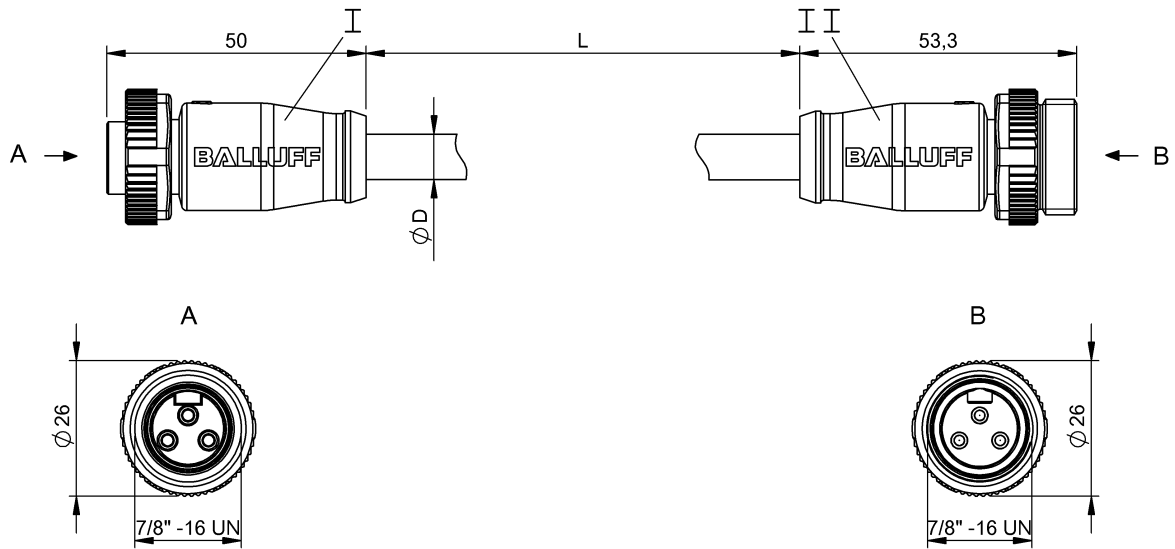


Double-Ended Cordsets  
**BCC A313-A313-30-345-VX43W6-250**  
**Order Code: BCC0HZ7**

**BALLUFF**



**Basic features**

Approval/Conformity	CE cULus WEEE
---------------------	---------------------

**Electrical connection**

Cable	PVC Yellow, 25 m
Cable diameter D	10.24 mm ±0.20 mm
Conductor cross-section	16 AWG
Connection 1	7/8"-Female, straight, 3-pin
Connection 2	7/8"-Male, straight, 3-pin
Number of conductors	3
System	Molded/Molded

**Electrical data**

Cable rated voltage AC max.	600 V
Cable rated voltage DC max.	600 V
Operating voltage U <sub>b</sub>	300 VDC / 300 VAC
Rated current (40 °C)	13.0 A

**Remarks**

Bulk cable: PVC UL listing, 16/3 STOOW/STOOW CSA FT2 105°C 600 V  
 Enclosure rating per IEC 60529, only in screwed state with the associated mating piece.

**Environmental conditions**

Cable temperature, fixed routing	-40...105 °C
IP rating	IP67, IP68/IP67, IP68

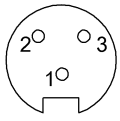
**Material**

Cable jacket, material	PVC
Material contact carrier	PUR/PUR
Material contacts	Brass/Brass
Material cover nut	Die-cast zinc/Die-cast zinc
Material grip	PUR/PUR

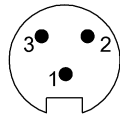
**Mechanical data**

Cable jacket, color	Yellow
Cable length L	25.00 m
Tightening torque pigtail	1.5 Nm/1.5 Nm

## Connector Drawings



I



II

## Wiring Diagrams

